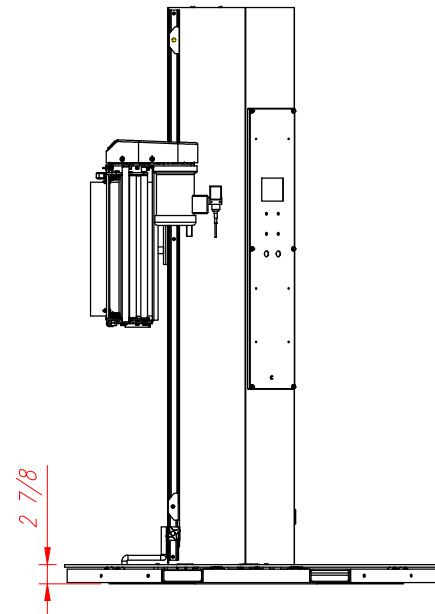
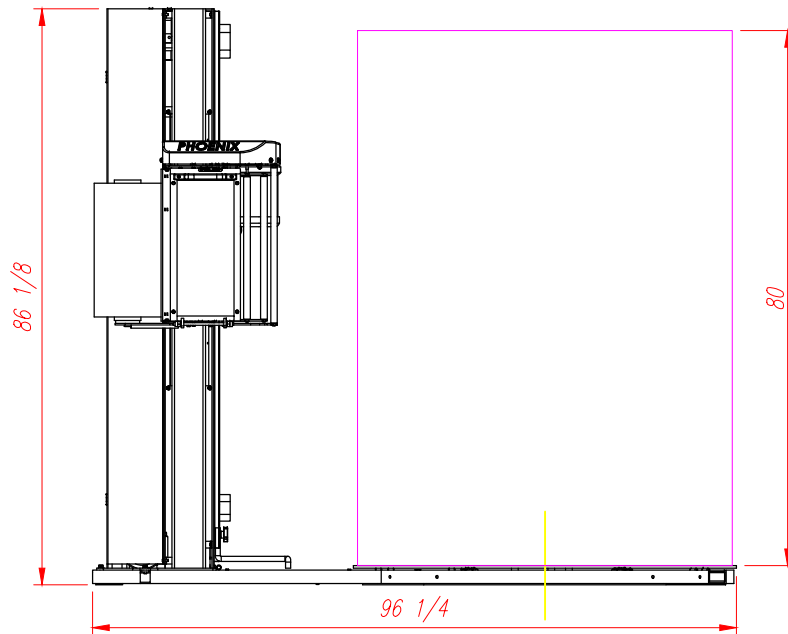
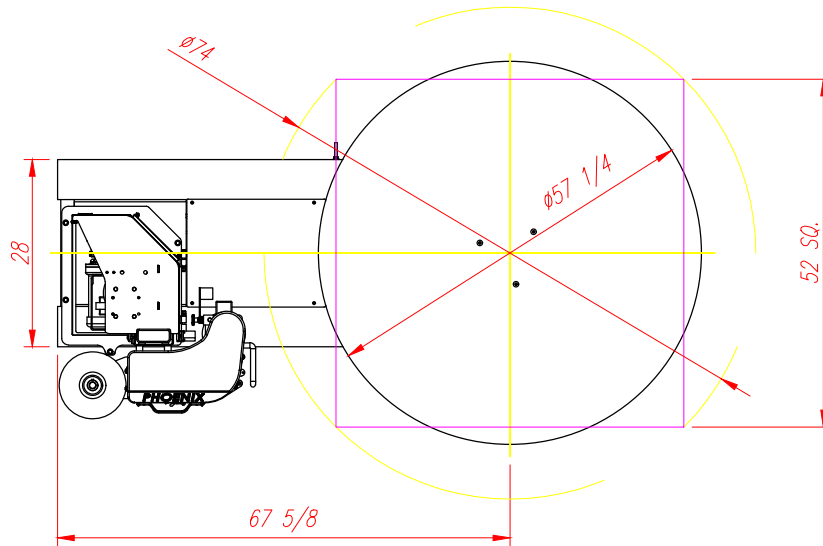


# PHOENIX

The Stretch Wrapping Experts

For more information call 800-848-8888 or visit us at [www.phoenixwrappers.com](http://www.phoenixwrappers.com)



GLEN CARTER

PRELIMINARY LAYOUT FOR REF.

[WWW.PHOENIXWRAPPERS.COM](http://WWW.PHOENIXWRAPPERS.COM)

CLIENT:	STANDARD	DATE:	
DISTRIBUTOR:	STANDARD	QUOTE:	
MACHINE MODEL:	PLP-2100		