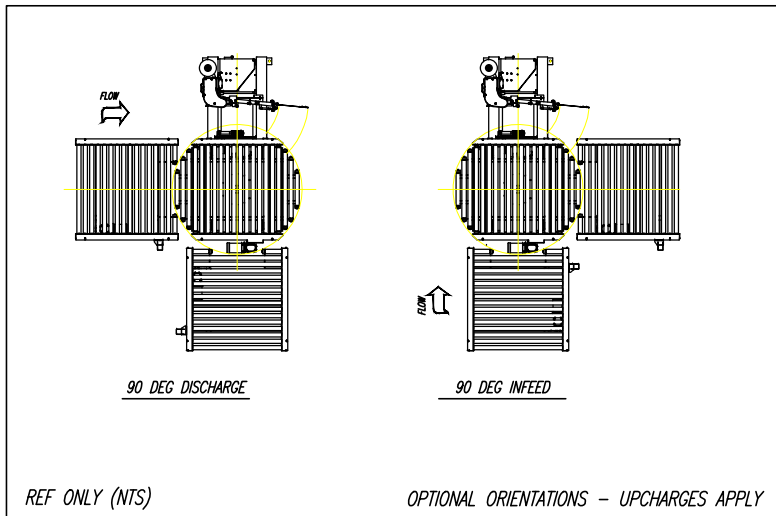


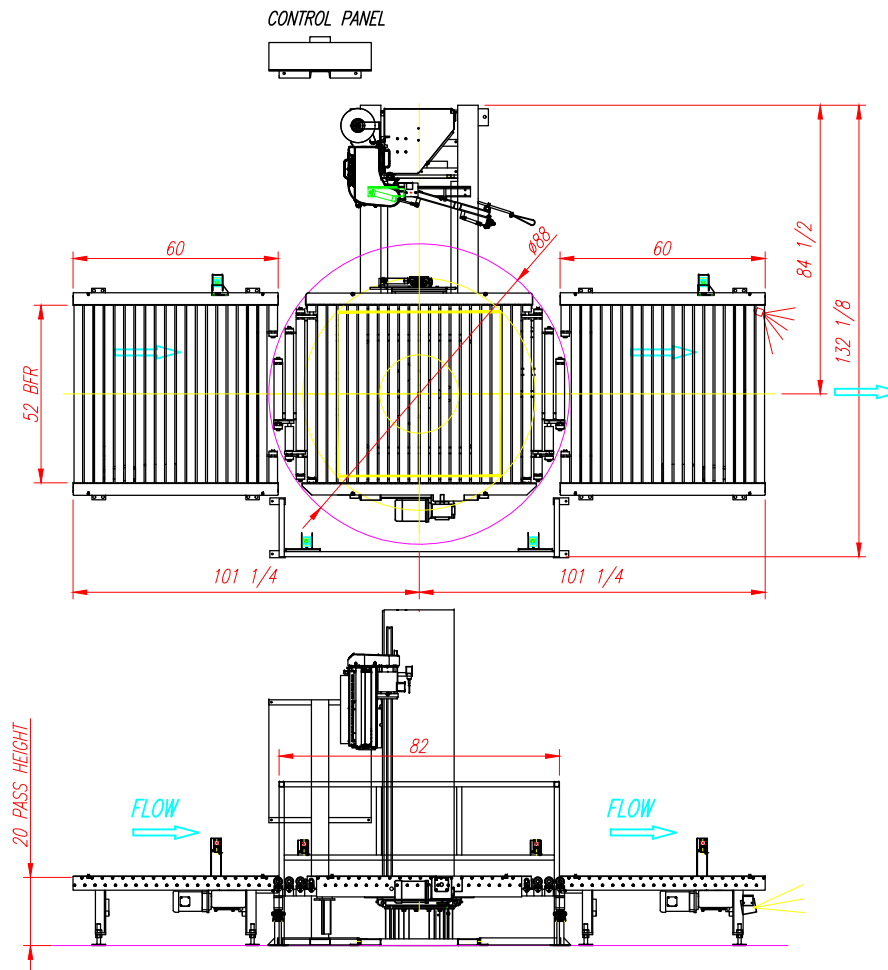
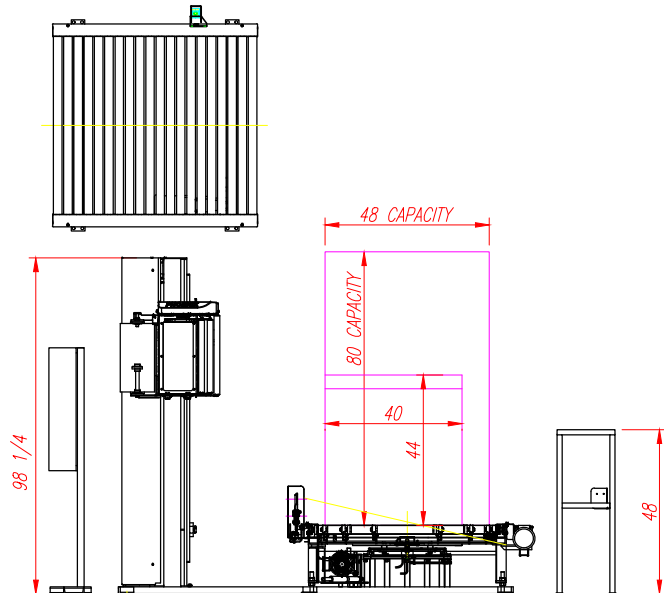
PHOENIX

The Stretch Wrapping Experts

For more information call %, ' ' !(- \$!- +&+
or visit us at www.phoenixwrappers.com



OPTIONAL ADDITIONAL 5FT CDLR SECTION
USED AS INFEEDS OR OUTFEEDS TO SYSTEM



WWW.PHOENIXWRAPPERS.COM

CLIENT:	STANDARD	DATE:
DISTRIBUTOR:	STANDARD	QUOTE:
MACHINE MODEL:	PCTA-2300	

PRELIMINARY LAYOUT FOR REF.