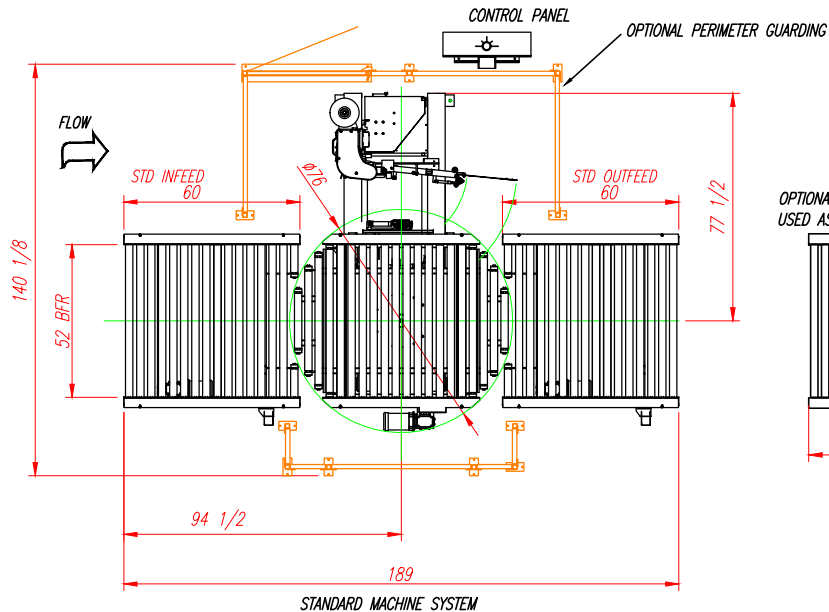


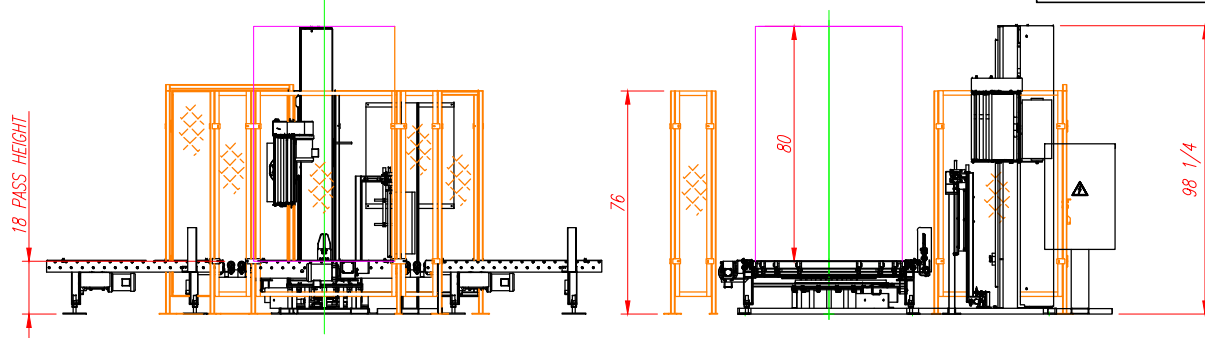
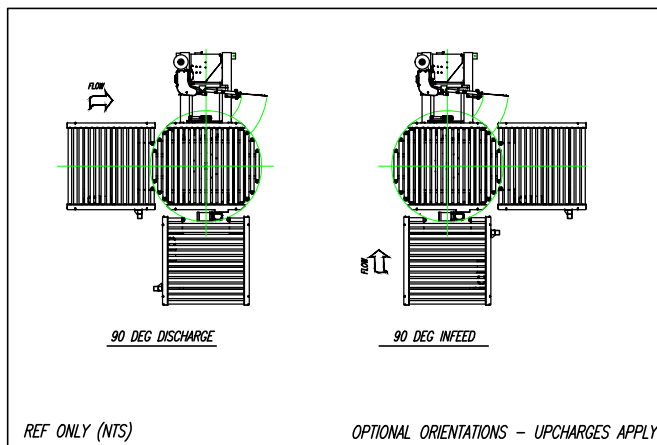
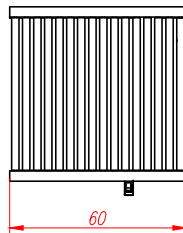
PHOENIX

The Stretch Wrapping Experts

For more information call 800-833-2222 or visit us at www.phoenixwrappers.com



OPTIONAL ADDITIONAL 5FT CCLR SECTION USED AS INFEEDS OR OUTFEEDS TO SYSTEM



GLEN CARTER

PRELIMINARY LAYOUT FOR REF.

WWW.PHOENIXWRAPPERS.COM

CLIENT:	STANDARD	DATE:	
DISTRIBUTOR:	STANDARD	QUOTE:	
MACHINE MODEL:	PCTA-2100		